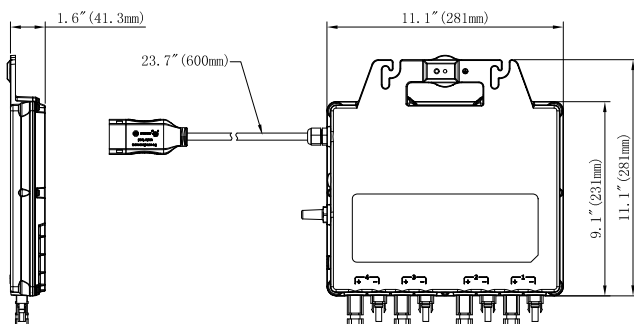


QS1A

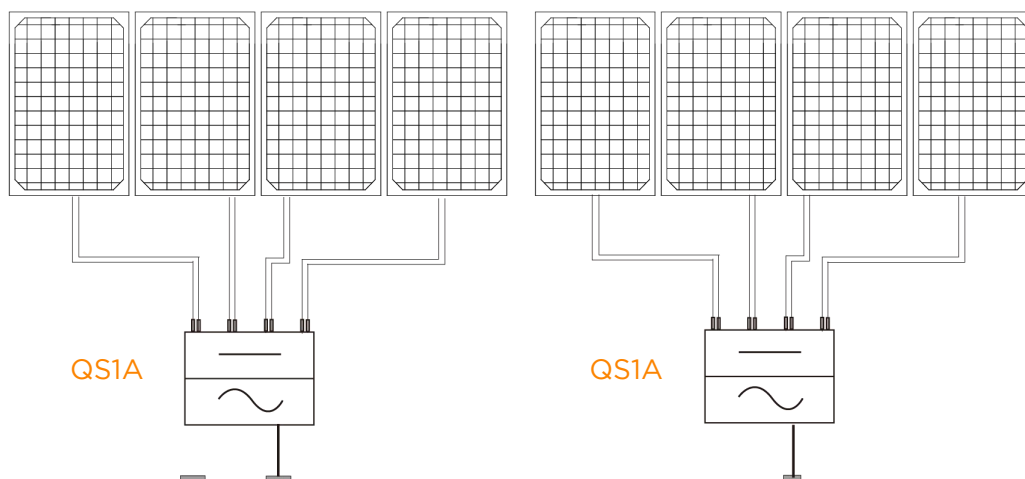
- Single unit connects up to four solar modules
- 4 input channels with independent MPPT and monitoring function
- Maximum continuous output power up to 1500W

DIMENSIONS



The APsystems QS1A is a grid-tied microinverter with intelligent networking and advanced monitoring systems to ensure maximum efficiency. High reliability of the QS1A with 4 independent MPPT inputs, maximum continuous AC output power reaching 1500W. Quarter the inverters and quarter the installation means real cost savings for residential and commercial customers.

WIRING SCHEMATIC



QS1A Microinverter Datasheet

Region

Canada

Input Data (DC)

Recommended PV Module Power (STC) Range	250Wp-525Wp+
MPPT Voltage Range	30V-52V
Operation Voltage Range	16V-55V
Maximum Input Voltage	60V
Startup Voltage	20V
Maximum Input Current	13.3A x 4
Maximum DC Short Circuit Current	15A x 4

Output Data (AC)

Maximum Continuous Output Power	1500W
Nominal Output Voltage/ Range	240V/ 211V-264V
Adjustable Output Voltage Range	150V-280V
Nominal Output Current	6.25A
Maximum Units per Branch	2units per 20A AC breaker
Nominal Output Frequency/ Range	60Hz/ 59.3Hz-60.5Hz
Adjustable Output Frequency Range	55Hz-65Hz
Output Power Factor Rating	>0.99
Total Harmonic Distortion	<3%
Maximum Output Fault Current (AC) and Duration	47.3 Apk, 1.4 ms of duration

Efficiency

Peak Efficiency	96.5%
Nominal MPPT Efficiency	99.5%
Night Power Consumption	30mW

Mechanical Data

Operating Ambient Temperature Range	-40°F to +149°F (-40°C to +65°C)
Storage Temperature Range	-40°F to +185°F (-40°C to +85°C)
Dimensions (W x H x D)	11.1" x 9.1" x 1.6" (281mm x 231mm x 41.3mm)
Weight	9.9lbs (4.5kg)
AC Bus Cable	12AWG
Enclosure Rating	Type6
Cooling	Natural Convection - No Fans

Features

Communication	Wireless
Transformer Design	High Frequency Transformers, Galvanically Isolated
Monitoring	Via EMA* Online Portal

Certificate & Compliance

Compliance	UL1741; CSA C22.2 No. 107.1
Grid Connection Compliance	IEEE1547

*APsystems online Energy Management Analysis (EMA) platform.

**PLEASE NOTE QS1A IS NOT CERTIFIED FOR USA(not CEC listed, not CA Rule 21/IEEEE2030.5)



Specifications subject to change without notice - please ensure you are using the most recent update found at canada.apsystems.com

© All Rights Reserved

APsystems:

Rm.B305 No.188, Zhangyang Road, Pudong, Shanghai 200120, P.R.C | +86 21 3392 8205 | info.canada@apsystems.com